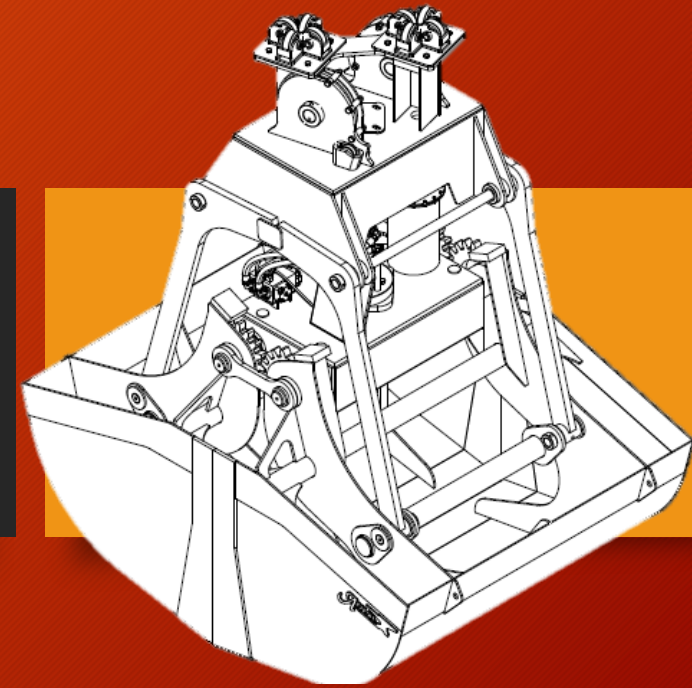


# Anvil Attachments

Hydraulic Buckets, Electro-Hydraulic Buckets & Grapples, Grapples,  
Digging Buckets, Rehandling Buckets



**OCEANUS**  
MARITIME SERVICES LLC



# Who is Anvil?

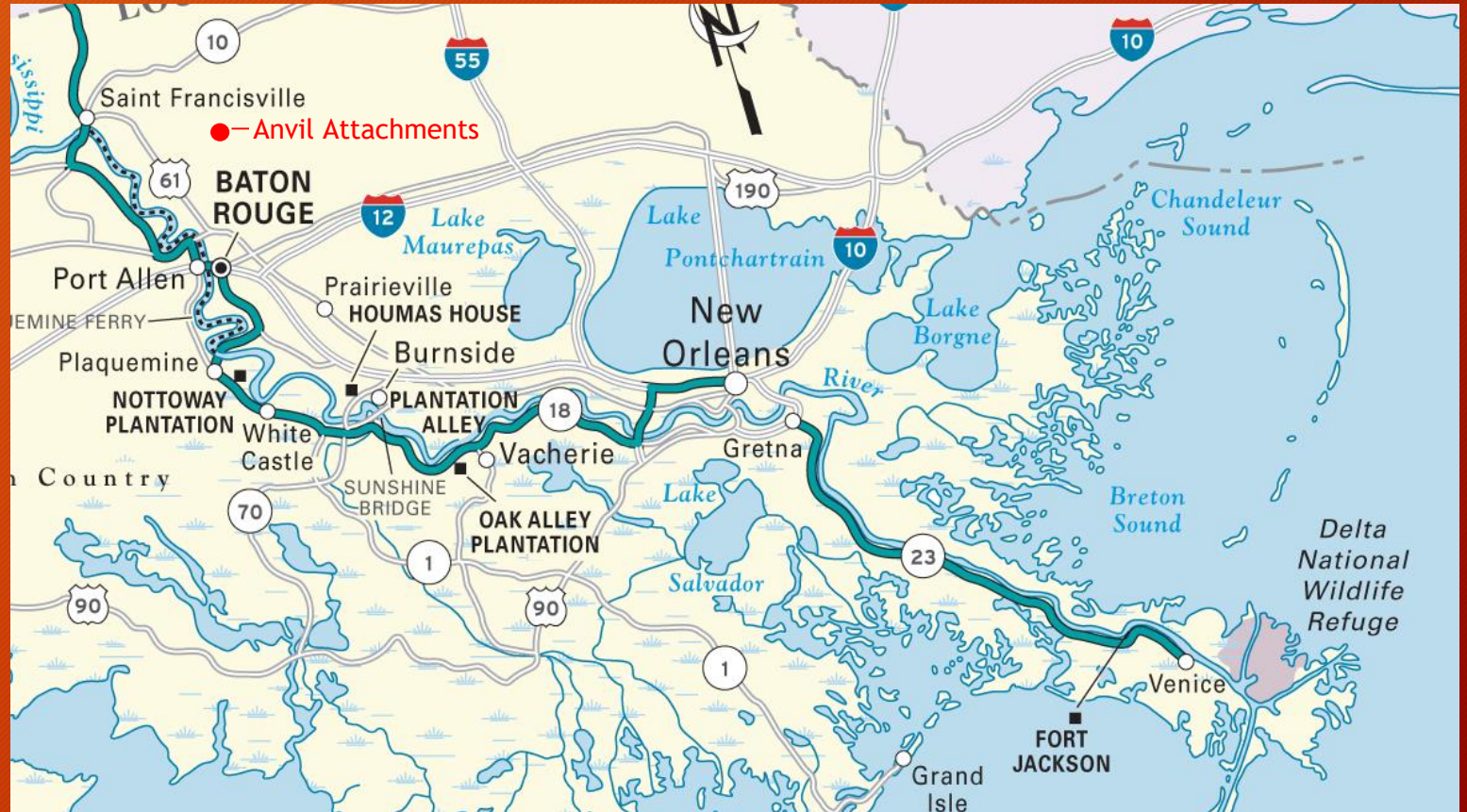
- Anvil Attachments is the oldest material handling company in the USA, manufacturing Hawco, Yaun, Williams and Owen. Some of these date back to 1905.
- Anvil has the fastest lead time in the industry. All Anvil products are designed around standard parts. Grapples can be shipped in as little as 1 week, and parts are shipped the same day as ordered.
- Anvil is the most innovative grab company in the world; holding several patents.
- Every Anvil product is **MADE IN THE USA**.

# Why choose Anvil?

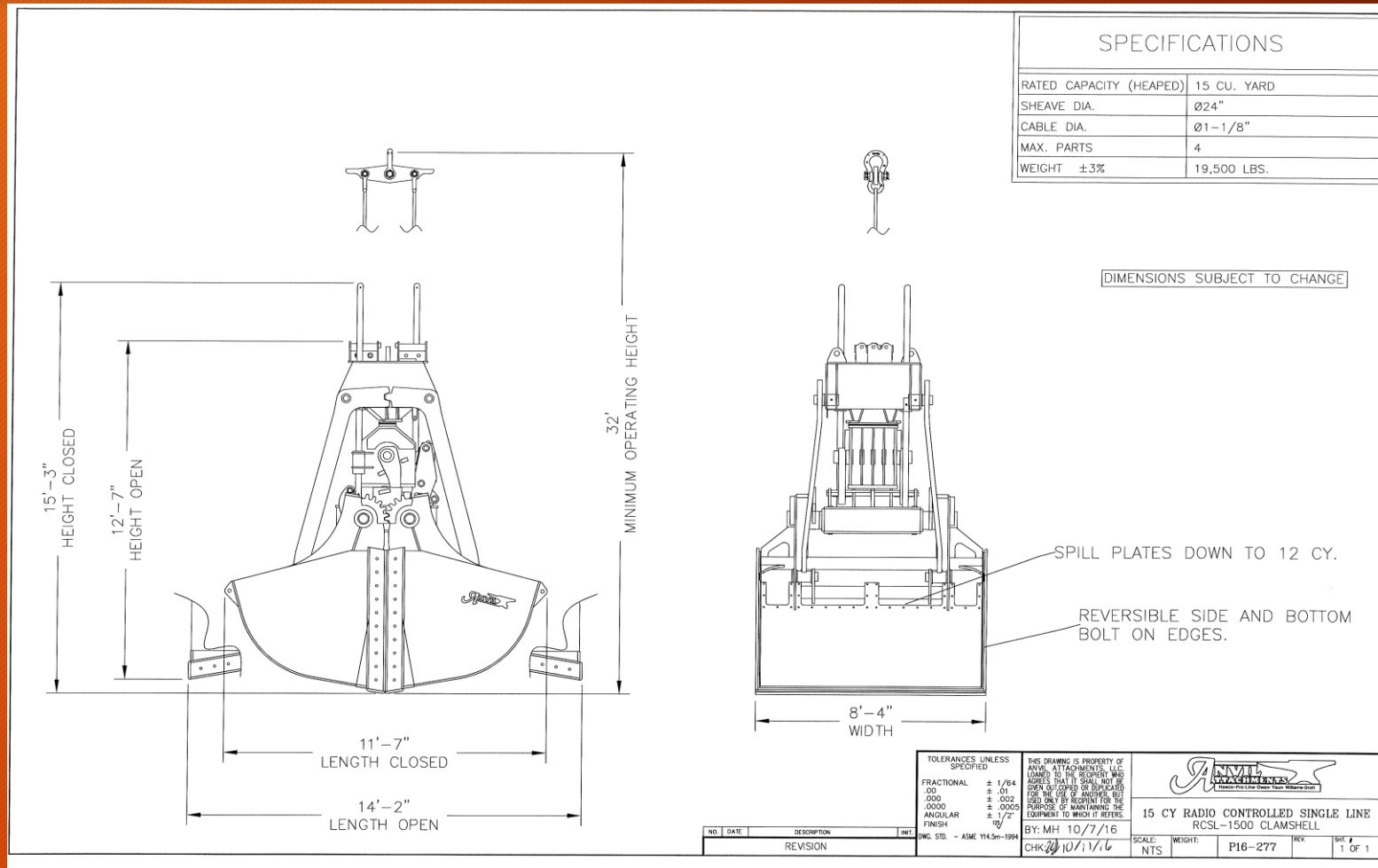
- LEAN Manufacturing
- 3D design & Finite Element Analysis
- Standard Parts- parts are on the shelf, quicker lead-time for new builds, rebuilds and parts order
- Increased cable contact and increased sheave diameter=longer cable life
- Modular assemblies result in easier upgrading

# Repair Services

- Located on near the Mississippi River, Anvil Attachments is the ideal location for repairs.
- Anvil can repair any grab from any manufacturer.
- Vessels calling New Orleans can have their grabs transferred to the workshop with minimal expenses.



# New Grabs



# New Grabs

- Anvil is now designing a grab for use on Supramaxes and Ultramaxex incorporating various patents it holds.
- Grabs will be approved by the major Classification Societies and brought to the market in the second half of 2017.
- Grabs are manufactured in our facilities in Baton Rouge, Louisiana

# Contact Details

- For the repairs or new construction of grabs please contact:

Oceanus Maritime Services LLC

[Technical@oceanusms.com](mailto:Technical@oceanusms.com)

[info@oceanusms.com](mailto:info@oceanusms.com)

+1(281) 339 7952

ANTONIS PANAGIOTAREAS

(512) 994 9532

CHARLES HARDESTY

(281) 222 5525

LUCY MILLER

(405) 388 8689